

SW-01 smart analog module specification



The main parameters:

Diameter (mm) : 38mm

Thickness (mm) : 7.6mm

Main-dial : 2 hands (hour // minute)

2 Sub-dial : 1 hand

Battery : 2032





Main features:

Software customization flexibility, can tailor make user interface, hand display, dial design & button features.

1. BLE connectivity, support Android 4.4 above & IOS
2. Auto time sync
3. Auto date//day sync
4. Pedometer (step, distance, calories , active time)
5. Goal setting
6. ANCS & Notification : Call, Miss call, Email, Calendar, social network Alerts
7. Silent Alarm (coming soon)
8. Remote Shutter (Android ready ; IOS coming soon)
9. OTA update (coming soon)
- 10.Vibration strength 3 levels

11. Battery life cycle 5 months (based on 50 times ANCS/Notification usage per day)
12. Low power mode
13. Battery level indication

For existing dial Watch design.

Button functions:

A) 2 o'clock button:

Short press: remote shutter (android only)

2 second press: demo mode (hands moving)

B) 4 o'clock button:

Short press: pedometer % indication

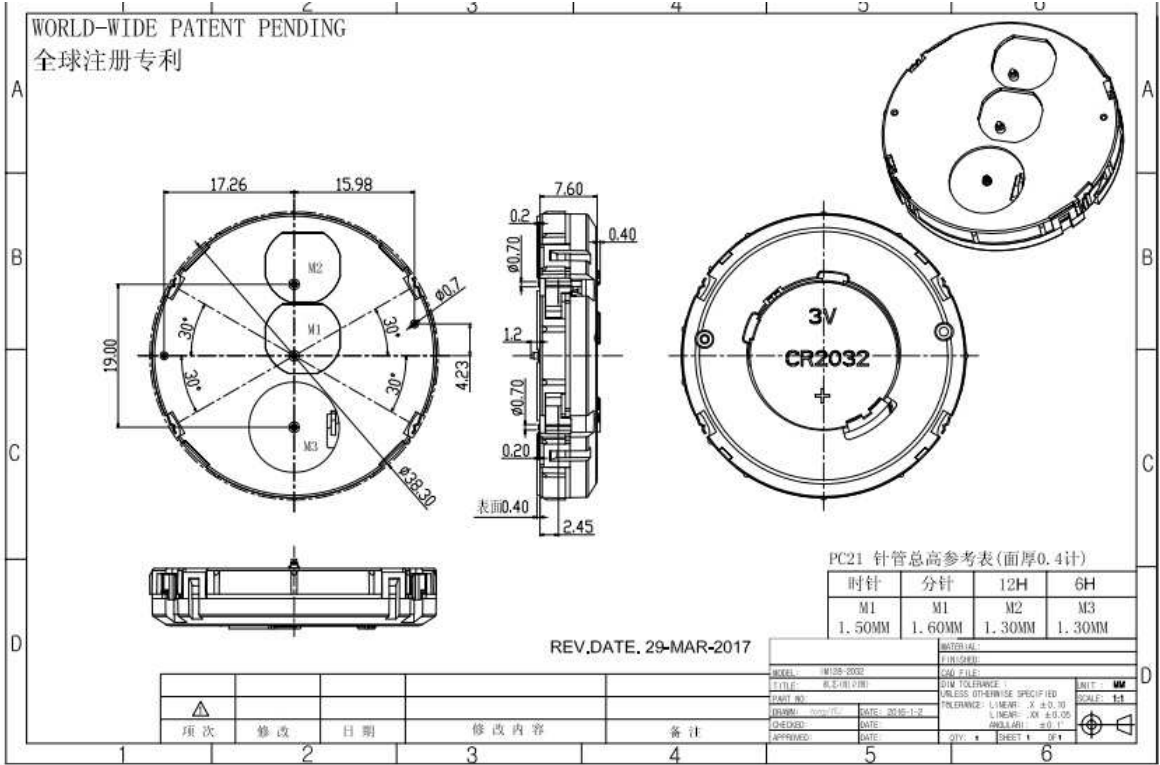
2 second press: pairing mode (bonding)

5 second press: clear bonding, disconnect with watch





WORLD-WIDE PATENT PENDING
全球注册专利



PC21 针管总高参考表(面厚0.4计)

时针	分针	12H	6H
M1	M1	M2	M3
1.50MM	1.60MM	1.30MM	1.30MM

REV.DATE. 29-MAR-2017

项次	修改	日期	修改内容	备注

MODEL: W109-2002	DESCRIPTION:	UNIT: MM
TITLE: 6.2-10-110	DATE: 2016-1-2	SCALE: 1:1
PART NO:	DATE: 2016-1-2	LINEAR: X 0.0, 0
CHECKED:	DATE:	LINEAR: X 0.0, 0
APPROVED:	DATE:	LINEAR: X 0.0, 0
	DATE:	LINEAR: X 0.0, 0
	DATE:	LINEAR: X 0.0, 0

